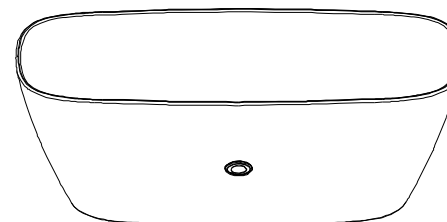
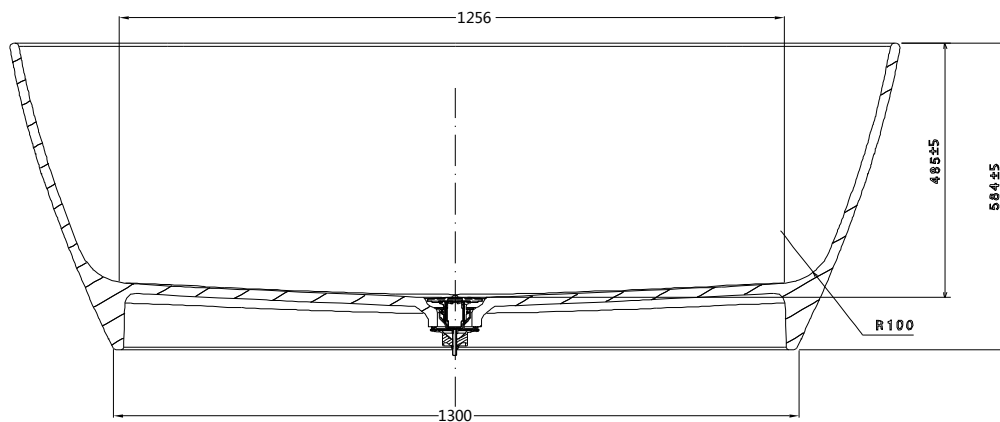


Section view B-B



Isometric view
Scale: 1:10